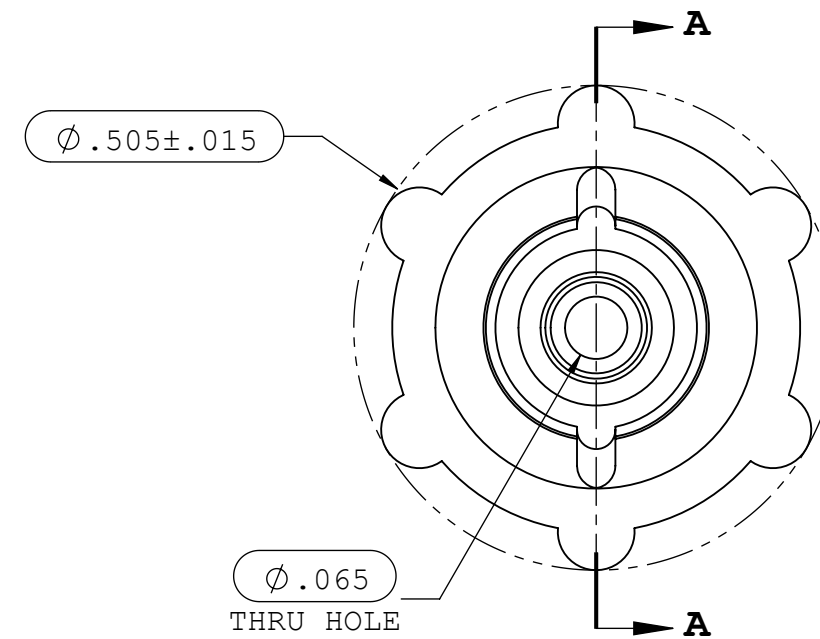
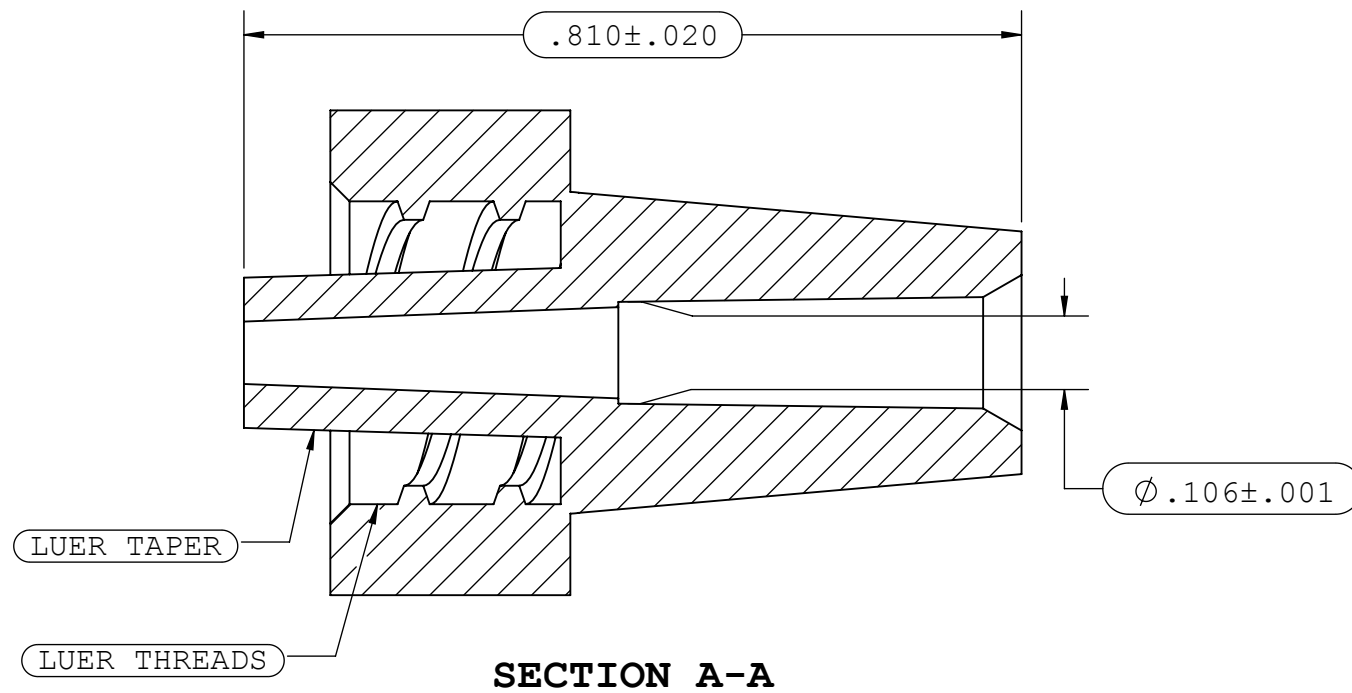
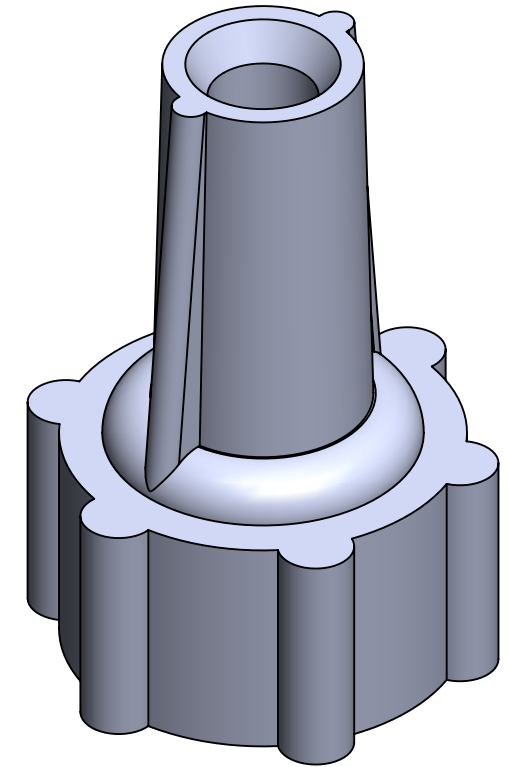


NOTES: FOR ADDITIONAL DETAILS, PLEASE CONTACT VP CUSTOMER SERVICE
 DIMENSIONS MARKED \varnothing ARE CONTROL DIMENSIONS

REVISIONS			
REV.	DESCRIPTION	DATE	APPROVED
A	INITIAL RELEASE	04/28/15	K.R.S.



UNLESS OTHERWISE SPECIFIED DIMENSIONS ARE IN INCHES TOLERANCES ARE:		VALUE PLASTICS, INC			
FRACTIONS DECIMAL ANGULAR \pm .XX \pm .01 \pm 1° .XXX \pm .005 .XXXX \pm .001		PART NUMBER: CF886			
DO NOT SCALE DRAWING		DESCRIPTION: MALE LUER LOCK TO .110 BONDABLE SOCKET			
DRAWN BY: Marie M.J.	DATE: 4/28/2015	SIZE: B	SCALE: NTS	VER: 	DWG. NO. 1030842
MANAGER: kyles		© 2011 VALUE PLASTICS, INC			REV A
SHEET: 1 OF 1					

FOR REFERENCE ONLY